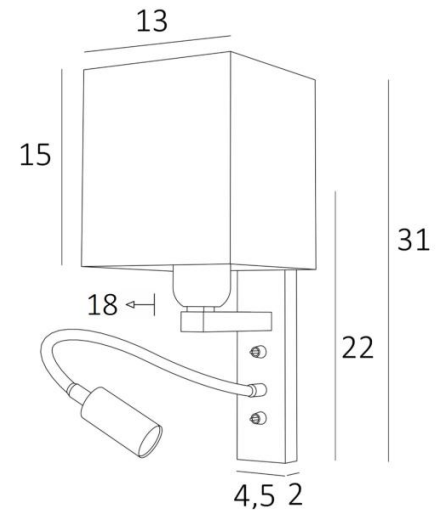




KARY #



KARY brushed bronze with lampshade Parma Merisier (fabric category 4)



**KARY #** is a wall light with a square lampshade and reading light to be placed near a bed  
The arm has an E27 fitting with a ring to fix a square lampshade

The reading light consists of a flexible that ends with a LED spot that emits a warm and concentrated light  
This wall light has two switches that control the lampshade and the reading light separately, so you can choose between soft and/of reading light

This high-quality fixture is accentuated with beautiful finishes. For the lampshade, which will provide a warm atmosphere we offer you a choice of many shapes, fabrics and colors. This will allow you to integrate this elegant wall light into your decoration

#### OVERALL SIZES

H31cm L13cm |→18cm **BASE:** 4,5 x 22 x 2cm

#### TECHNICAL DATA

**E27 fitting** with ring on a fixed arm, controlled by a toggle switch

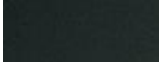




**LED-spotlight** on a 30cm flex, controlled by a toggle switch

The spotlight can be directed to all directions. Dimensions: L5cm Ø2,5cm

Integrated LED: 1W 119lm 2700°K 30° beam angle. Driver: 14-230V 50-60HZ 350mA

A fixing plate for the wall box ([plan in PDF](#))

#### AVAILABLE METAL FINISHES AND CODES

	02 - Structured black - 1310 002
	25 - Brushed brass - 1310 025
	28 - Light bronze - 1310 028
	29 - Brushed bronze - 1310 029
	33 - Brushed nickel - 1310 033

#### LAMPSHADE : SIZES & CODE

#13 - 15cm

Code: 1300 + fabric code

We propose more than 180 fabrics/materials/colors for lampshades



LIGHTING COLLECTION