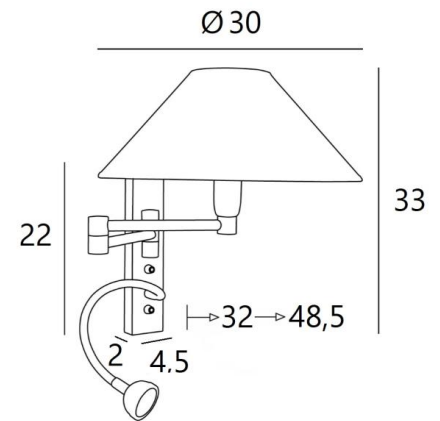




AHMES o



AHMES in brushed chrome with lampshade in Coton Sahara (fabric from category 1)



**AHMES o** is a wall light with a round conical lampshade and reading light to be placed near a bed. The double articulated arm has an E14 fitting with a ring to fix the lampshade. The reading light consists of a flexible with a LED spotlight that emits a warm and concentrated light. This wall light is equipped with two switches that control the lampshade and the reading light separately, allowing you to choose between soft- or reading light. For the lampshade, which will create a warm atmosphere and a beautiful brightness, we offer you a choice of many shapes, materials and colours. So you can better integrate this elegant and robust wall light in your decoration. This high-quality fixture, traditionally made of solid brass, is enriched with beautiful finishes.

#### OVERALL SIZES

H33cm L30cm |→32→48,5cm

**BASE :** 4,5 x 22 x 2cm

#### TECHNICAL DATA

**E14 fitting** with ring on a double articulated arm, controlled by a toggle switch

**LED-spotlight** on a 30cm flex (can be directed to all directions), controlled by a toggle switch

Spotlight dimensions: Ø4cm H2,4cm





**LED:** 1W 119lm 2700°K **Driver:** 14-230V 50-60HZ 350mA

A fixing plate for the wall box ([plan in PDF](#))

**OPTIONS:** Push buttons for home automation system

**OPTIONS:** CE socket outlet and/or USB port and/or USB-C port

#### AVAILABLE METAL FINISHES AND CODES

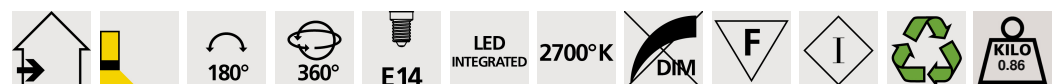
	25 - Brushed brass - 1117 025
	28 - Light bronze - 1117 028
	29 - Brushed bronze - 1117 029
	32 - Brushed chrome - 1117 032

#### LAMPSHADE : SIZES & CODE

Ø9 - 30 - 16cm

Code: 1104 + fabric code

We propose more than 180 fabrics/materials/colors for lampshades



LIGHTING COLLECTION