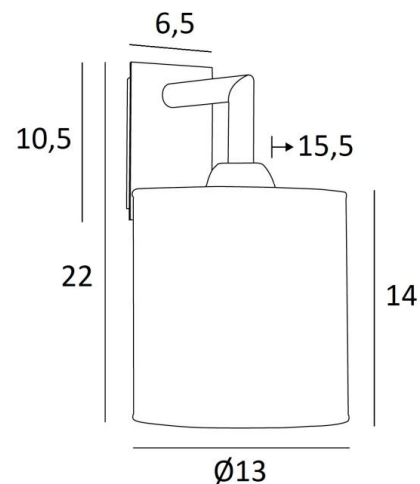




EDFOU 1 cyl



EDFOU 1 in brushed bronze with lampshade in Parma Cendré (fabric from category 4)



EDFOU 1 cyl is a simple wall light with a round cylindrical lampshade. It is well balanced and its elegance allows it to be easily integrated into an interior

This fixture is made of brass and comes in two sizes. She is available in a variety of beautiful finishes

EDFOU 1 can be placed upside down but only with lampshades from our **RAMOSE** range

For the lampshade, which will create a warm atmosphere and a beautiful luminosity, we propose you to choose between many shapes, fabrics, materials and colors

There is a larger model, see [EDFOU 2 cyl](#)

OVERALL SIZES

H22cm L13cm |→15,5cm

BASE

Plate : 6,5 x 10,5cm

Box : 4,5 x 8,5 x 2cm

TECHNICAL DATA

One E27 fitting with ring

Dimmable wall light

A fixing plate for the wall box ([plan in PDF](#))

AVAILABLE METAL FINISHES AND CODES



29 - Brushed bronze - 1125 029



32 - Brushed chrome - 1125 032

LAMPSHADE : SIZES & CODE

Ø13 - 13 - 14cm

Code: 1201 + fabric code

We propose more than 150 materials/colors for lampshades.

