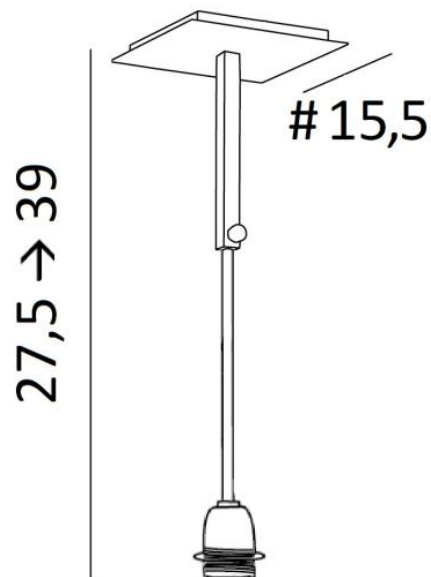




MEHA



MEHA in brushed bronze without lampshade



MEHA is a suspension lamp where the lampshade is attached to an E27 fitting by a clamping ring
A set of height-adjustable tubes connects the fitting to an attractive, square ceiling base consisting of a housing and a large decorative plate

MEHA is height-adjustable and is designed to fit any lampshade with an E27 fitting, whether it is square, rectangular, oval or round

OVERALL SIZES

#15,5cm H27,5→39cm

BASE

Plate : #15,5cm

Box : #13 x 1,5cm

TECHNICAL DATA

One metal E27 fitting with ring

Dimmable suspension

Suspension adjustable in height

On request : a longer suspension tube

A fixing plate for the ceiling base ([plan in PDF](#))

AVAILABLE METAL FINISHES AND CODES



29 - Brushed bronze - 4353 029



LIGHTING COLLECTION