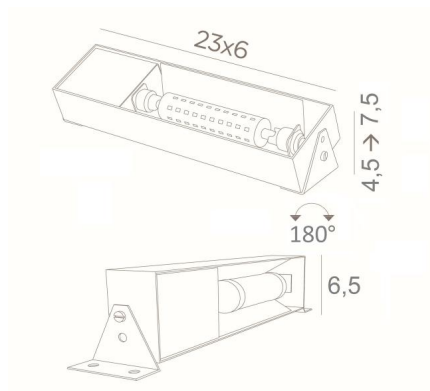


UP 25



UP 25 in brushed bronze



Uplight, powerful indirect lighting, to be placed invisibly in a rail or on the top of a wall, a piece of furniture or beam

This luminaire is equipped with two mounting brackets allowing it to be adjusted upwards and in all directions (180°)

R7s fittings

No transformer required

UP 25 is supplied with a high-intensity LED lamp

OVERALL SIZES

H4,5 → 7,5cm

TECHNICAL DATA

R7s fittings

Uplight delivered with one LED bulb:

consumption 15W brightness 2000lm color temperature 2700°K

No transformer

Dimmable luminaire

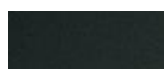
The reflector can be rotated to 180°

Reflector dimensions: 23 x 6cm H3,5cm

AVAILABLE METAL FINISHES AND CODES



01 - Structured white - 6085 001



02 - Structured black - 6085 002



29 - Brushed bronze - 6085 029

