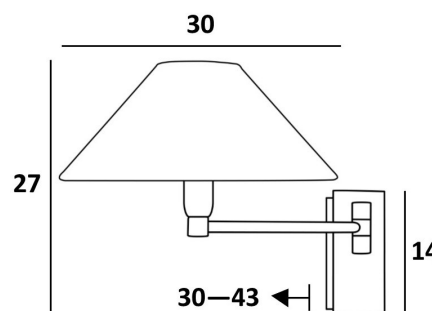




SOKARIS - SWITCH in brushed chrome with round conical shade in lin pompéi (Codes 1163 032 + 1104 757)



LIGHTING COLLECTION



SOKARIS - SWITCH o

Wall lamp with a single mobile arm and round shade.

Conical shade diffuses light obliquely to facilitate reading. Perfect as wall lamp for a bedroom.

This model exists with a push button switch, see SOKARIS + SWITCH, or with a double articulated arm, see AHMOSIS - SWITCH.

CODES for the SHADE and FABRIC

The shade is ordered separately from the wall lamp. Don't forget to add the fabric code (3 numbers) to the shade code (4 numbers).

Shade code : 1104 + fabric code

CODES for the WALL LAMP and the AVAILABLE FINISHES

The code of the wall lamp (4 numbers) is followed with 3 numbers, taking the available finish preceded by a zero :



29 - Brushed bronze
Wall lamp code : 1163 029

32 - Brushed chrome
Wall lamp code : 1163 032

Other finishes on request

TOTAL SIZES

H27cm |→ 30cm → 43cm

SIZES OF THE SHADE

∅ 9-30-16cm

MATERIALS FOR THE SHADE

To make the shade, we offer more than 150 materials and colors.

To make your choice, click SHADE FABRICS

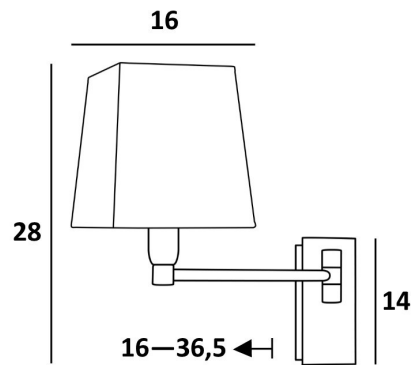
WALL BASE

Plate : 6,5 x 14,5cm





SOKARIS - SWITCH in brushed bronze
with square shade in seta taupe
(Codes 1163 029 + 1307 886)



LIGHTING COLLECTION



SOKARIS - SWITCH

Wall lamp with a single mobile and square shade.

Perfect as wall lamp for a bedroom.

This model exists with a push button switch, see SOKARIS + SWITCH, or with a double articulated arm, see AHMOSIS - SWITCH.

CODES for the SHADE and FABRIC

The shade is ordered separately from the wall lamp. Don't forget to add the fabric code (3 numbers) to the shade code (4 numbers).

Shade code : 1307 + fabric code

CODES for the WALL LAMP and the AVAILABLE FINISHES

The code of the wall lamp (4 numbers) is followed with 3 numbers, taking the available finish preceded by a zero :



29 - Brushed bronze
Wall lamp code : 1163 029

32 - Brushed chrome
Wall lamp code : 1163 032

Other finishes on request

TOTAL SIZES

H28cm |→ 16cm → 36,5cm

WALL BASE

Plate : 6,5 x 14,5cm

Box : 4,5 x 12,5 x 2cm

SIZES OF THE SHADE

13-16-17cm

MATERIALS FOR THE SHADE

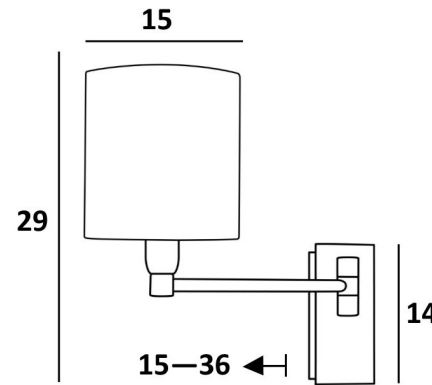
To make the shade, we offer more than 150 materials and colors.

To make your choice, click SHADE FABRICS





SOKARIS - SWITCH in brushed bronze
with round cylindrical shade in boston cappuccino
(Codes 1163 029 + 1203 912)



SOKARIS - SWITCH cyl

Wall lamp with a single mobile arm and round cylindrical shade.

Perfect as wall lamp for a bedroom.

This model exists with a push button switch, see SOKARIS + SWITCH, or with a double articulated arm, see AHMOSIS - SWITCH.

CODES for the SHADE and FABRIC

The shade is ordered separately from the wall lamp. Don't forget to add the fabric code (3 numbers) to the shade code (4 numbers).

Shade code : 1203 + fabric code

CODES for the WALL LAMP and the AVAILABLE FINISHES

The code of the wall lamp (4 numbers) is followed with 3 numbers, taking the available finish preceded by a zero :



29 - Brushed bronze
Wall lamp code : 1163 029

32 - Brushed chrome
Wall lamp code : 1163 032

Other finishes on request

TOTAL SIZES

H29cm |→ 15cm → 36cm

WALL BASE

Plate : 6,5 x 14,5cm

Box : 4,5 x 12,5 x 2cm

SIZES OF THE SHADE

∅ 15-15-16cm

MATERIALS FOR THE SHADE

To make the shade, we offer more than 150 materials and colors.

To make your choice, click SHADE FABRICS

