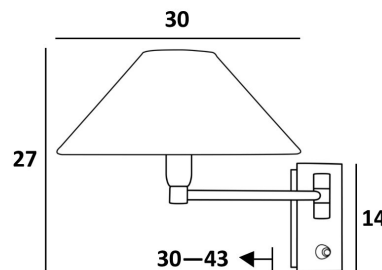




SOKARIS + SWITCH in brushed bronze
with round conical shade in chinette ivoire
(Codes 1164 029 + 1104 500)



LIGHTING COLLECTION



SOKARIS + SWITCH o

Wall lamp with a simple mobile arm and round shade.

Conical shade diffuses light obliquely to facilitate reading. Perfect as wall lamp for a bedroom.

This model exists without switch, see SOKARIS - SWITCH, or with a double articulated arm, see AHMOSIS + SWITCH.

CODES for the SHADE and FABRIC

The shade is ordered separately from the wall lamp. Don't forget to add the fabric code (3 numbers) to the shade code (4 numbers).

Shade code : 1104 + fabric code

CODES for the WALL LAMP and the AVAILABLE FINISHES

The code of the wall lamp (4 numbers) is followed with 3 numbers, taking the available finish preceded by a zero :



29 - Brushed bronze
Wall lamp code : 1164 029

32 - Brushed chrome
Wall lamp code : 1164 032

Other finishes on request

TOTAL SIZES

H27cm |→ 30cm → 43cm

WALL BASE

Plate : 6,5 x 14,5cm

Box : 4,5 x 12,5 x 2cm

SIZES OF THE SHADE

∅ 9-30-16cm

MATERIALS FOR THE SHADE

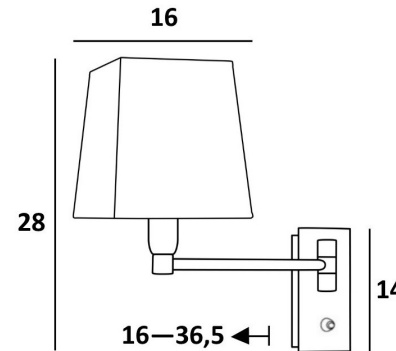
To make the shade, we offer more than 150 materials and colors.

To make your choice, click SHADE FABRICS





SOKARIS + SWITCH in brushed bronze with square shade in coton pavé du nord (Codes 1164 029 + 1307 650)



SOKARIS + SWITCH

Wall lamp with a single mobile arm and square shade.

Perfect as wall lamp for a bedroom.

This model exists without switch, see SOKARIS - SWITCH, or with a double articulated arm, see AHMOSIS + SWITCH.

CODES for the SHADE and FABRIC

The shade is ordered separately from the wall lamp. Don't forget to add the fabric code (3 numbers) to the shade code (4 numbers).

Shade code : 1307 + fabric code

CODES for the WALL LAMP and the AVAILABLE FINISHES

The code of the wall lamp (4 numbers) is followed with 3 numbers, taking the available finish preceded by a zero :



29 - Brushed bronze
Wall lamp code : 1164 029

32 - Brushed chrome
Wall lamp code : 1164 032

Other finishes on request

TOTAL SIZES

H28cm |→ 16cm → 36,5cm

WALL BASE

Plate : 6,5 x 14,5cm

Box : 4,5 x 12,5 x 2cm

SIZES OF THE SHADE

13-16-17cm

MATERIALS FOR THE SHADE

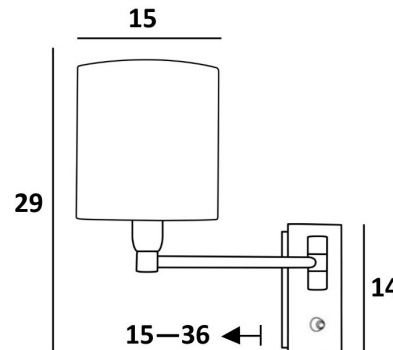
To make the shade, we offer more than 150 materials and colors.

To make your choice, click SHADE FABRICS





SOKARIS + SWITCH in brushed bronze
with round cylindrical shade in dreams graphite
(Codes 1164 029 + 1203 734)



SOKARIS + SWITCH cyl

Wall lamp with a single mobile arm and round cylindrical shade.

Perfect as wall lamp for a bedroom.

This model exists without switch, see SOKARIS - SWITCH, or with a double articulated arm, see AHMOSIS + SWITCH.

CODES for the SHADE and FABRIC

The shade is ordered separately from the wall lamp. Don't forget to add the fabric code (3 numbers) to the shade code (4 numbers).

Shade code : 1203 + fabric code

CODES for the WALL LAMP and the AVAILABLE FINISHES

The code of the wall lamp (4 numbers) is followed with 3 numbers, taking the available finish preceded by a zero :



29 - Brushed bronze
Wall lamp code : 1164 029

32 - Brushed chrome
Wall lamp code : 1164 032

Other finishes on request

TOTAL SIZES

H29cm |→ 15cm → 36cm

WALL BASE

Plate : 6,5 x 14,5cm

Box : 4,5 x 12,5 x 2cm

SIZES OF THE SHADE

∅ 15-15-16cm

MATERIALS FOR THE SHADE

To make the shade, we offer more than 150 materials and colors.

To make your choice, click SHADE FABRICS

