

POLARIS 90

Suspension with fixed reflector and LED integrated. Warm light, without transformer, this LED module works directly on 230V. It's dimmable with a simple compatible dimmer for LED bulbs.

This suspension is adjustable in the height when mounting. To be placed above a desk, a table or a work plan.

TOTAL SIZES

H 15cm → 133cm L91cm

CEILING BASE

45x4,5x2cm

TECHNICAL DATA

Consumption : 22,2W

Brightness : 2340 lumens

LED integrated. 2700°K. The LED module, multiple of 30cm, works directly on 230V

Distance between tubes : 37cm. On request, it's possible to obtain longer tubes for this suspension

AVAILABLE FINISHES

The suspension code (4 numbers) is followed with three numbers, taking the available finish preceded by a zero



29 - Brushed bronze

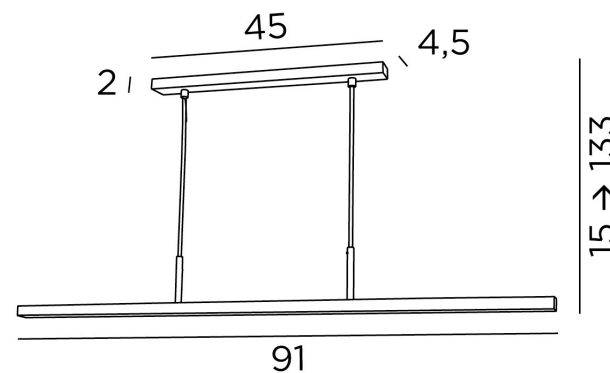
Suspension code : 4676 029



33 - Brushed nickel

Suspension code : 4676 033

Other finishes on request



POLARIS 90 in brushed bronze





POLARIS 120 in brushed bronze

LIGHTING COLLECTION



POLARIS 120

Suspension with fixed reflector and LED integrated. Warm light, without transformer, this LED module works directly on 230V. It's dimmable with a simple compatible dimmer for LED bulbs.

This suspension is adjustable in the height when mounting. To be placed above a desk, a table or a work plan.

TOTAL SIZES

H 15cm → 133cm L121cm

CEILING BASE

80x4,5x2cm

TECHNICAL DATA

Consumption : 29,6W

Brightness : 3120 lumens

LED integrated. 2700°K. The LED module, multiple of 30cm, works directly on 230V

Distance between tubes : 68cm. On request, it's possible to obtain longer tubes for this suspension

AVAILABLE FINISHES

The suspension code (4 numbers) is followed with three numbers, taking the available finish preceded by a zero



29 - Brushed bronze

Suspension code : 4677 029



33 - Brushed nickel

Suspension code : 4677 033

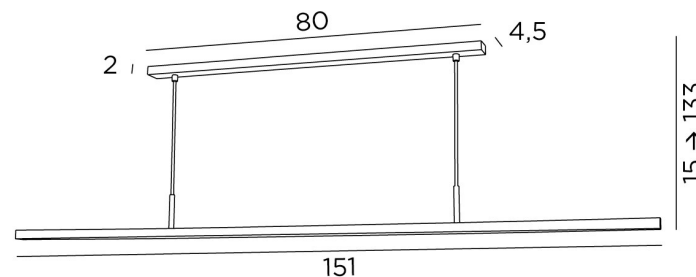
Other finishes on request



POLARIS 150

Suspension with fixed reflector and LED integrated. Warm light, without transformer, this LED module works directly on 230V. It's dimmable with a simple compatible dimmer for LED bulbs.

This suspension is adjustable in the height when mounting. To be placed above a desk, a table or a work plan.



POLARIS 150 in brushed bronze

TOTAL SIZES

H 15cm → 133cm L151cm

CEILING BASE

80x4,5x2cm

TECHNICAL DATA

Consumption : 37,1W

Brightness : 3900 lumens

LED integrated. 2700°K. The LED module, multiple of 30cm, works directly on 230V

Distance between tubes : 68cm. On request, it's possible to obtain longer tubes for this suspension

AVAILABLE FINISHES

The suspension code (4 numbers) is followed with three numbers, taking the available finish preceded by a zero



29 - Brushed bronze

Suspension code : 4678 029



33 - Brushed nickel

Suspension code : 4678 033

Other finishes on request

