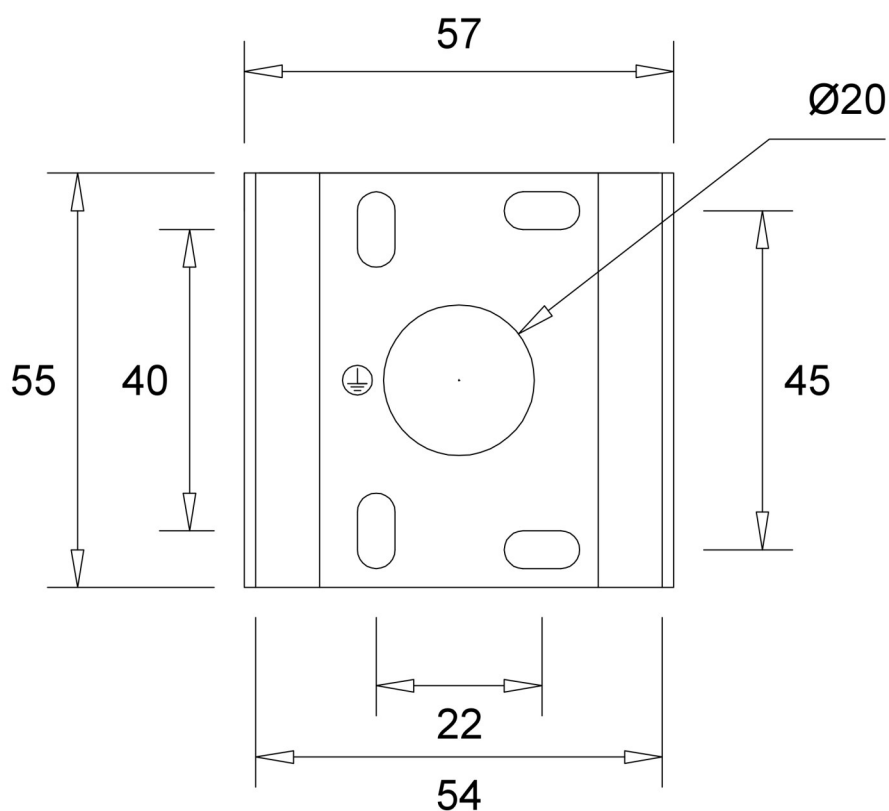


OMEGA



DAVIDTS LIGHTING

Chaussée de Waterloo, 848-856 - B-1180 Brussels - Belgium
Phone +32.2.375.76.46 - Fax +32.2.375.82.65
info@davidts.com - www.davidts.com